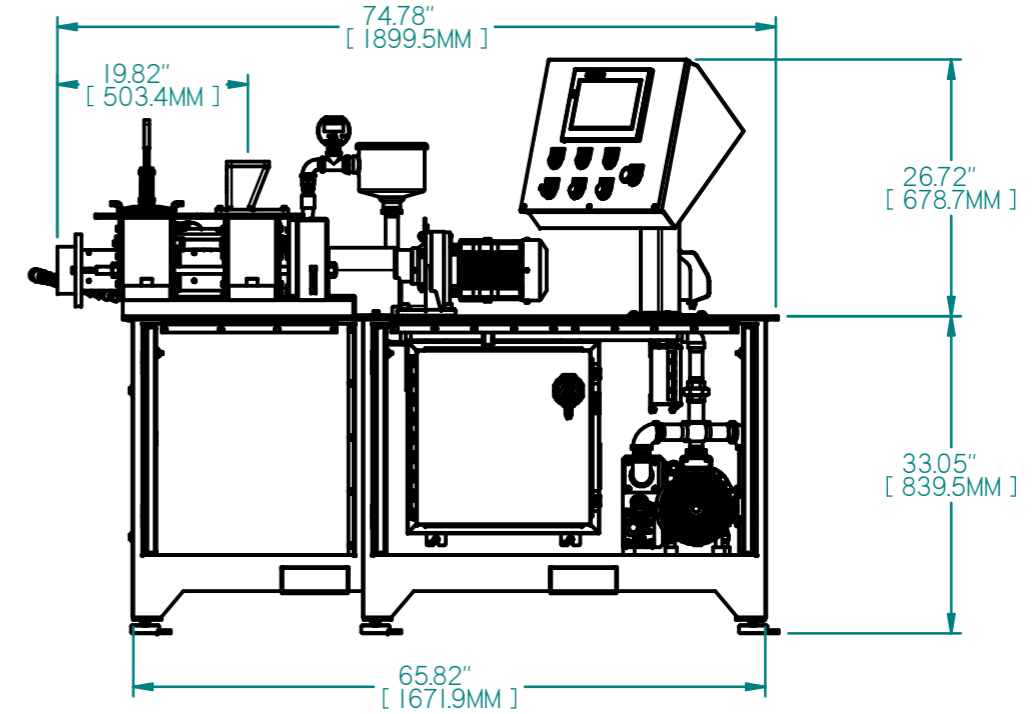
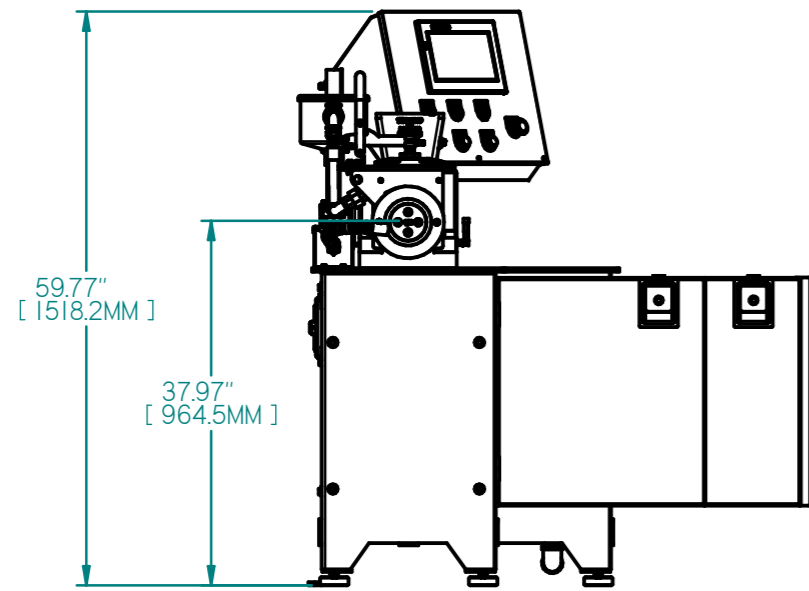
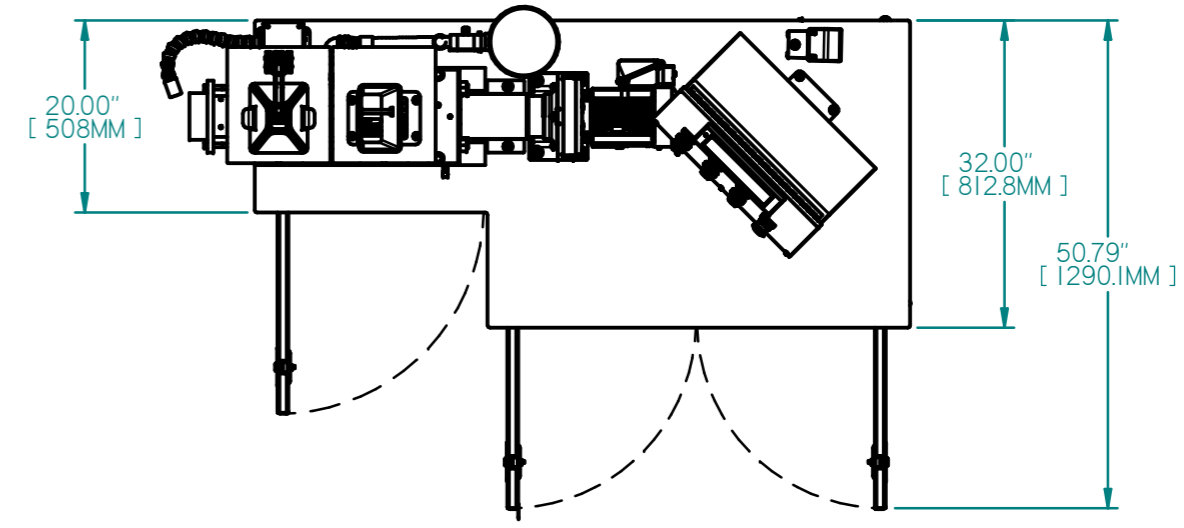
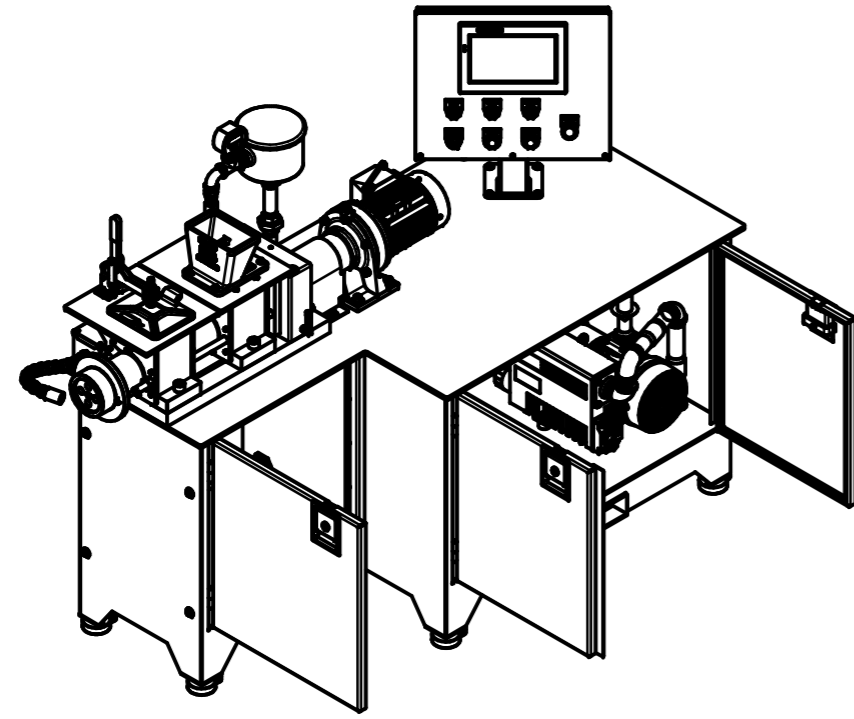


REV	BY	DESCRIPTION	DATE



J.C. STEELE & SONS 710 SOUTH MULBERRY STREET STATESVILLE, N.C. 28677 U.S.A. <small>(704) 872-3681 - FAX (704) 878-0789 - http://www.jcsteele.com</small> <small>THIS DRAWING AND THE INFORMATION HEREIN ARE THE SOLE PROPERTY OF AND SUBJECT TO RECALL BY J.C.S. & S. IT MAY NOT BE USED OR REPRODUCED WITHOUT THE WRITTEN CONSENT OF J.C.S. & S.</small>	3EX - 3 INCH EXTRUDER			
	MACHINE: 3EX			MASS - 1018.5 lbm
USED IN:	SHEET SIZE	SCALE	RELEASED	SHEET 1 OF 1
MATERIAL:	B	NTS	N/A	REV. 0
TREATMENT:	DRAWING NUMBER: YEX A 0000 AS			
DRAWN BY: JDH	CHECKED BY: N/A	DATE: 8/24/2020		